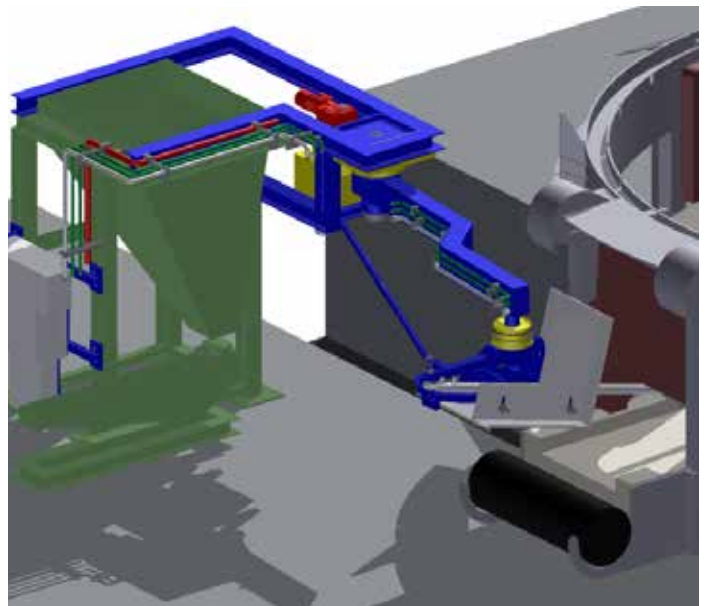


It works on the furnace door to clear slag. It injects oxygen at supersonic speed. The lance is supported and moved by a manipulator fixed to the platform or into another surrounding rigid structure. The set can be placed at a distance on either side of the door. By turning the arm, the lance is positioned over the slag tunnel so that the generated oxygen dart melts the trapped slag. Besides the oxygen lance, the machine can incorporate an additional coal lance for the generation of foaming slag.



Characteristics:

- Use of O₂ for decarburisation and generation of slag.
- Possibility of an additional coal lance for the generation of slag.
- Remote control from the furnace room or by radio control.
- Robust precise equipment.
- Water-refrigerated protection shields to protect the equipment from radiation and splashes.
- Easy removal of lances with quick connections at the back.
- Easy maintenance.



Advantages:

- Quick insertion of lances in the tunnel.
- Increased O₂ injection time.
- Increased productivity.
- Repetitive and homogeneous results.
- The oxygen speed when coming out of the nozzle helps quick decarburisation.
- The amount of O₂ used for the formation of foaming slag is optimised by injecting it below the slag but on top of the bath.



WHO WE ARE

LABECAST is a highly qualified team of engineers specialized in the foundry sector. LABECAST combines the experience of its founder, Mikel Mendiola, with over 25 years of experience in technical management positions in the foundry world, with the enthusiasm and expertise of a young but very experienced team.

An exceptional human team using the latest technology in the market in an exclusive workshop for control and development of our own products.

WHAT WE DO

We find solutions to technical problems in the steel world, based on four basic premises:



THE SAFETY OF THE PEOPLE WHO PRODUCE STEEL.



SAVINGS, ESPECIALLY ENERGETIC ONES.



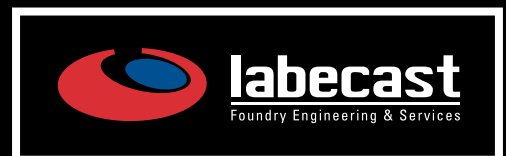
EFFICIENCY OF ITS PROCESSES.



ENVIRONMENTAL CARE.

HOW WE DO

Through the creation of completely new equipment or modernization of existing equipment (REVAMPINGS)
Simple equipment, easy to use.
Reliable equipment that do not require a lot of maintenance.
Equipment designed to suit customer needs.



SIMPLIFYING THINGS MEANS PROGRESS