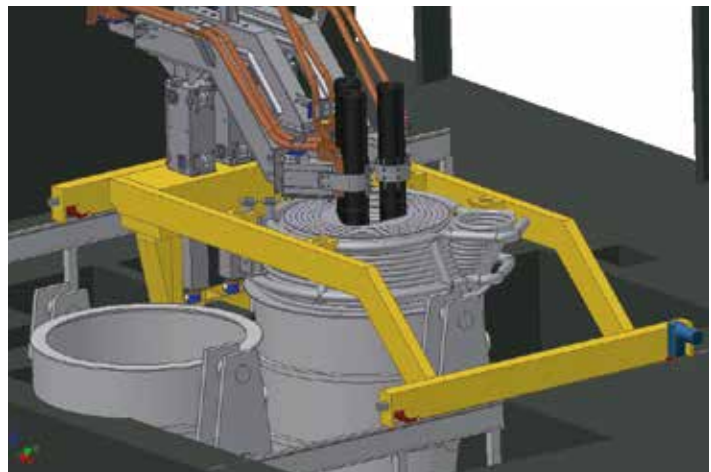
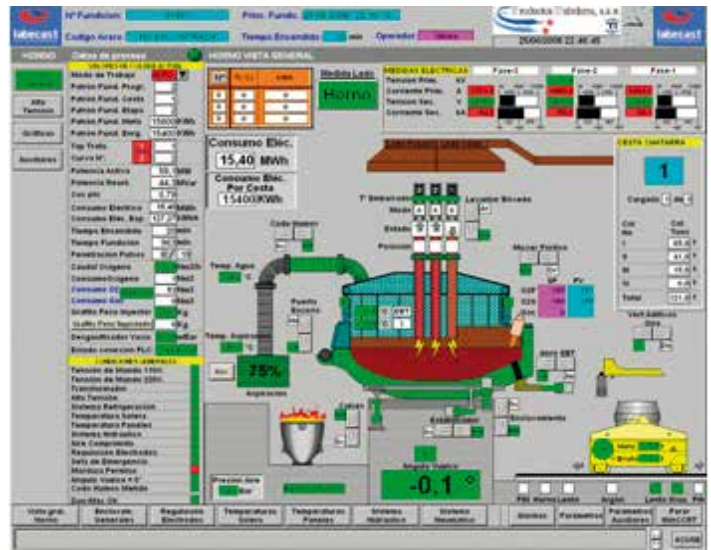


LABECAST furnaces (EAF) and ladle furnaces (LF) have been designed following the criteria provided by our 25-year experience using similar equipment.

Characteristics:

- This criteria only admits **simple solutions** because we know that complicated solutions are not practical in foundries.
- **Robust** criteria in our equipment because we know how difficult and demanding steel manufacturing process is.
- Criteria to design **parts** which are easily detachable and interchangeable with their spares, such as our clamping devices, because we know how difficult and costly maintenance is during short production stops.
- Resource **optimisation and efficiency criteria**, such as our low impedance circuits, because we know how important it is to save in the production, due to its large use a lot of resources and energy.
- Criteria of **minimum environmental impact**, such as our combustion equipment, and addition of chemical energy, because steel production can be very aggressive.
- Criteria of **personnel safety**, such as our EBT closure, because we know that risk is present in some routine process operations.



WHO WE ARE

LABECAST is a highly qualified team of engineers specialized in the foundry sector. LABECAST combines the experience of its founder, Mikel Mendiola, with over 25 years of experience in technical management positions in the foundry world, with the enthusiasm and expertise of a young but very experienced team.

An exceptional human team using the latest technology in the market in an exclusive workshop for control and development of our own products.

WHAT WE DO

We find solutions to technical problems in the steel world, based on four basic premises:



THE SAFETY OF THE PEOPLE WHO PRODUCE STEEL.



SAVINGS, ESPECIALLY ENERGETIC ONES.



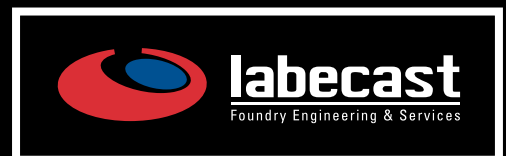
EFFICIENCY OF ITS PROCESSES.



ENVIRONMENTAL CARE.

HOW WE DO

Through the creation of completely new equipment or modernization of existing equipment (REVAMPINGS)
Simple equipment, easy to use.
Reliable equipment that do not require a lot of maintenance.
Equipment designed to suit customer needs.



SIMPLIFYING THINGS MEANS PROGRESS