



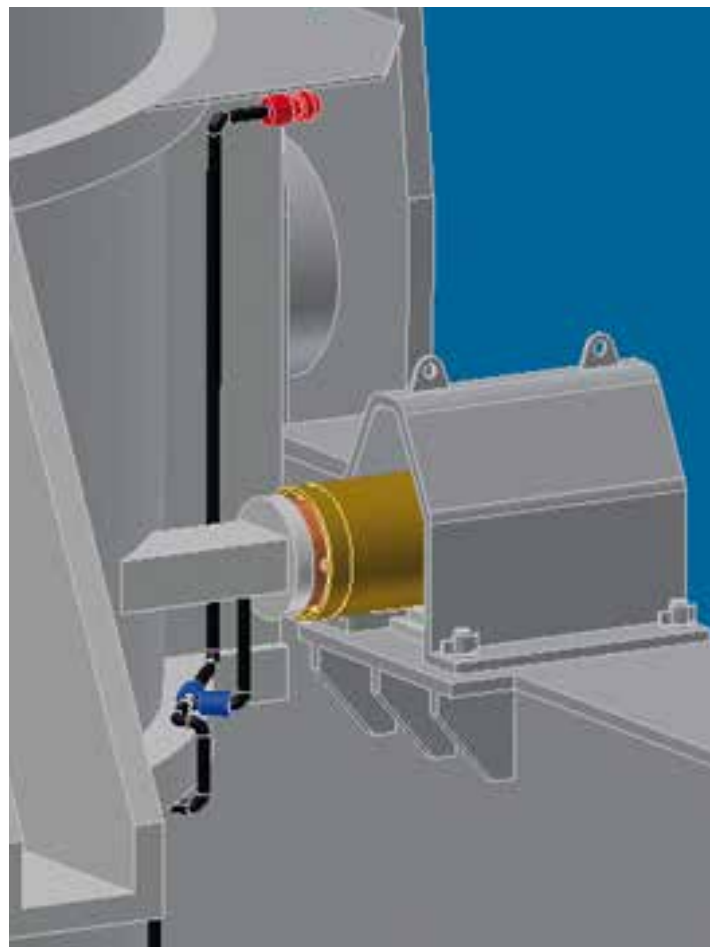
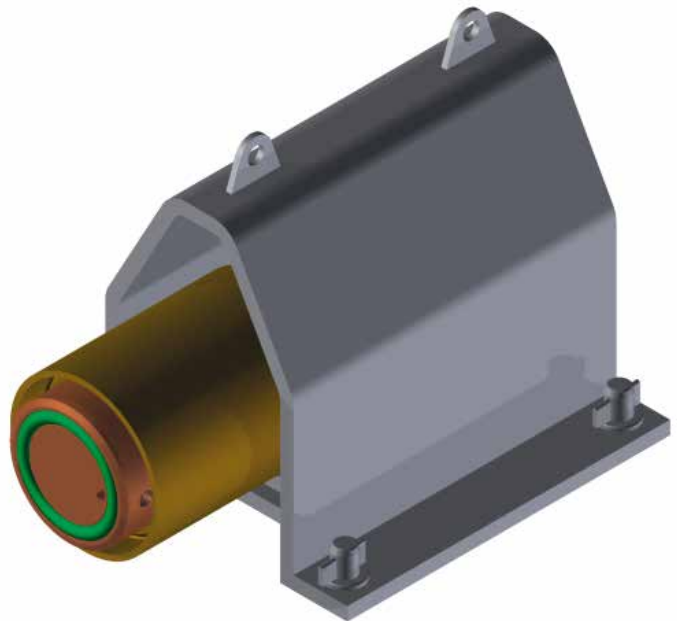
Argon stirring aims to homogenise temperature and analyse of the steel bath. The manual connection of the argon hose is a risky job, as the operator needs to get close to a ladle full of liquid metal and is exposed to high temperatures, dirt and furnace slag spills. LABECAST has developed a piece of equipment which carries out this job automatically.

LABARGON has been developed for the quick coupling of argon, in a safe and reliable way and with no maintenance needed. The difference between this equipment and other existing systems on the market is that the cylinder reaches out for the ladle and not the other way round. In other pieces of equipment, the coupling is made while putting the ladle on the moving head. The whole ladle weight touches the joint, so joint consumption is high (up to three times per shift, sometimes).

However, our equipment remains hidden in the moving head until the ladle is positioned and still in it. At that time, the cylinder extends and couples against the plate welded to the ladle. Thus, the joint is untouched and joint consumption is reduced to a minimum.

Advantages:

- No more joint problems.
- Quick coupling.
- System reliability.
- Staff safety.
- Easy maintenance.



WHO WE ARE

LABECAST is a highly qualified team of engineers specialized in the foundry sector. LABECAST combines the experience of its founder, Mikel Mendiola, with over 25 years of experience in technical management positions in the foundry world, with the enthusiasm and expertise of a young but very experienced team.

An exceptional human team using the latest technology in the market in an exclusive workshop for control and development of our own products.

WHAT WE DO

We find solutions to technical problems in the steel world, based on four basic premises:



THE SAFETY OF THE PEOPLE WHO PRODUCE STEEL.



SAVINGS, ESPECIALLY ENERGETIC ONES.



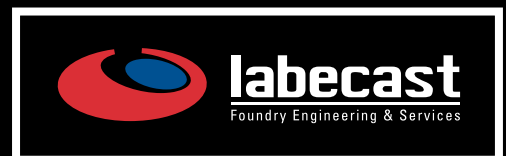
EFFICIENCY OF ITS PROCESSES.



ENVIRONMENTAL CARE.

HOW WE DO

Through the creation of completely new equipment or modernization of existing equipment (REVAMPINGS)
Simple equipment, easy to use.
Reliable equipment that do not require a lot of maintenance.
Equipment designed to suit customer needs.



SIMPLIFYING THINGS MEANS PROGRESS